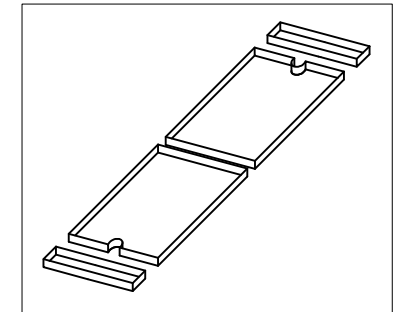
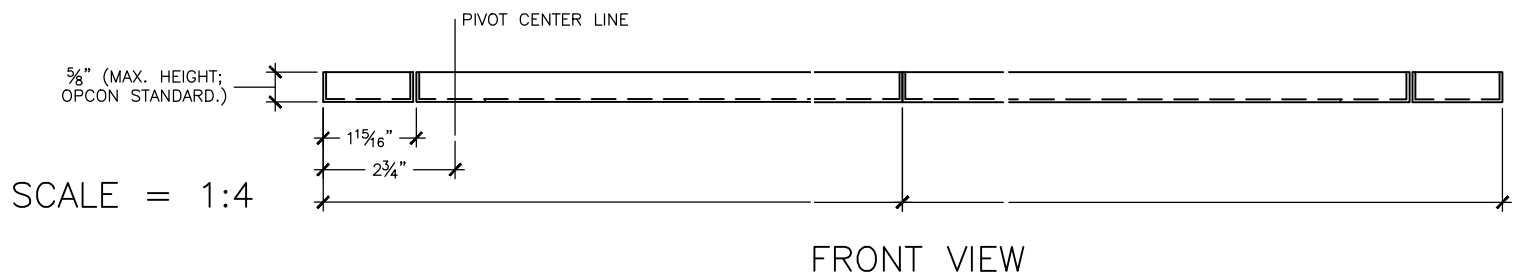
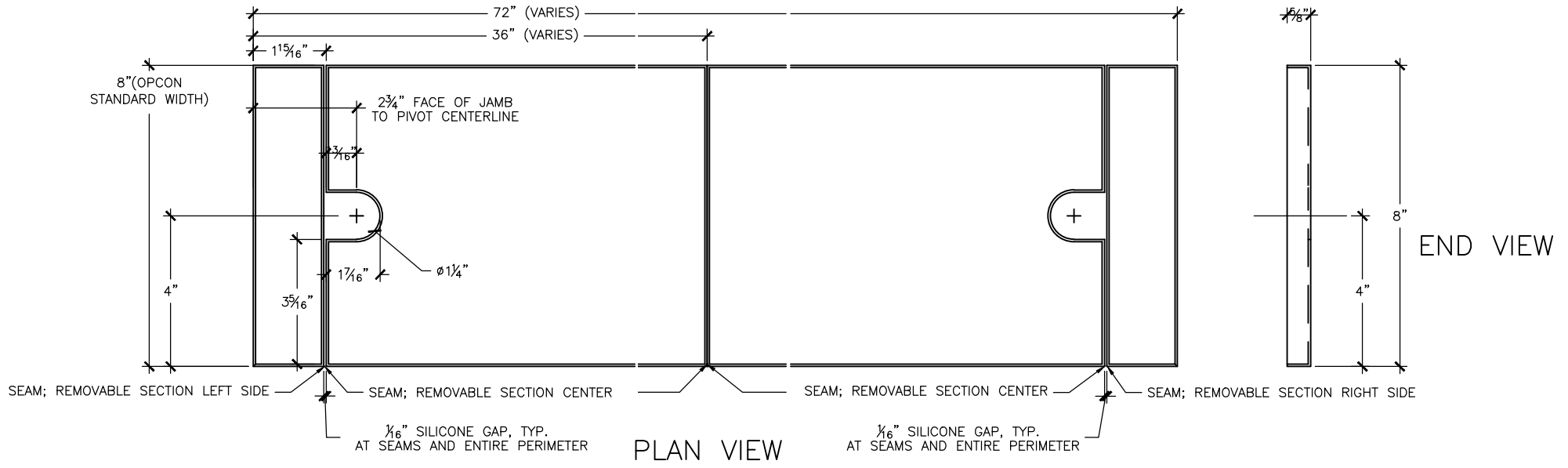


TERRAZZO, STONE, OR TILE PAN 72" CENTER HUNG PAIR (INSTALLED BETWEEN JAMBS)



NOTES:

1. WELD ALL OUTSIDE CORNERS (ONLY) & GRIND FLUSH
2. ALL SECTIONS OF TERRAZZO PAN ARE REMOVABLE; INSTALL & SEAL WITH SILICONE ONLY. ALL SEAMS AND ENTIRE PERIMETER MUST HAVE 1/16" SPACE FOR SILICONE SEALANT.
3. PREPARE TERRAZZO, TILE, OR STONE WITH "D" SHAPE HOLE FOR REMOVAL AT SPINDLE
4. MAXIMUM HEIGHT OF TERRAZZO PAN FLANGE IS 5/8" TALL. STONE/TILE THICKNESS MAY NEED MODIFICATION
5. MINIMUM 16 GAUGE THICK STAINLESS STEEL (OPCON STANDARD) MATERIAL