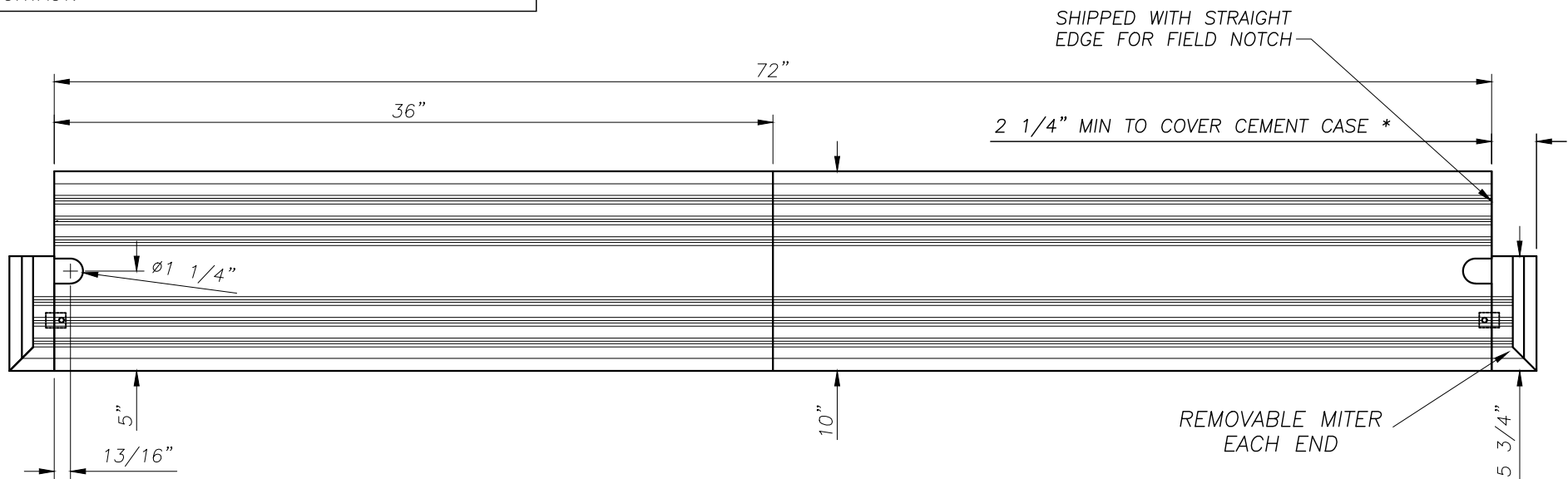


COMPANY:
 ACCOUNT#
 ADDRESS:
 ADDRESS:
 PHONE:
 FAX:
 CONTACT:

REVISIONS			
REV.	DESCRIPTION	DATE	APPR'D
A	ORIGINAL	5/07/07	




TYPE 3 X 430E PREP FOR OPCON ON 72"(PAIR) DOOR OPENING
3/4" OFFSET TOP VIEW
("D" SECTION WITH REMOVABLE MITERED CORNERS &
CENTER SEAM FOR REMOVAL)

- NOTES -

- * THRESHOLD IN FRONT OF JAMBS MUST EXTEND 3 1/16" MIN. FROM PIVOT CENTER
- NOTE THAT WELDING MAY CAUSE BLEMISHES TO APPEAR ON TOPSIDE OF THRESHOLD.
- MOUNTING HOLES ARE NOT SUPPLIED ON CUSTOM THRESHOLDS UNLESS SPECIFIED OTHERWISE BY CUSTOMER.
- IF MOUNTING HOLES ARE REQUIRED CUSTOMER MUST SUPPLY INFORMATION ON LOCATION OF MOUNTING HOLES.
- ALL CUSTOM DETAILS ARE TO BE SIGNED AND APPROVED BY CUSTOMER BEFORE NGP CAN PROCESS ORDER.
- ALL CUSTOM THRESHOLDS ARE NON-RETURNABLE.

TOLERANCE = +/- 1/16"

	NATIONAL GUARD PRODUCTS, INC. 4985 EAST RAINES ROAD MEMPHIS, TN 38118 PHONE (800) 647-7874 FAX (800) 255-7874			
	TITLE 3X430E OPCON PAIR			
DRAWN BY: DANNY TOMPKINS	SIZE A	FSCM NO.	DWG NO. 1	REV A
SCALE: 1 1/2" = 1'0"		DATE: 7/11/07	SHEET: 1 OF 1	