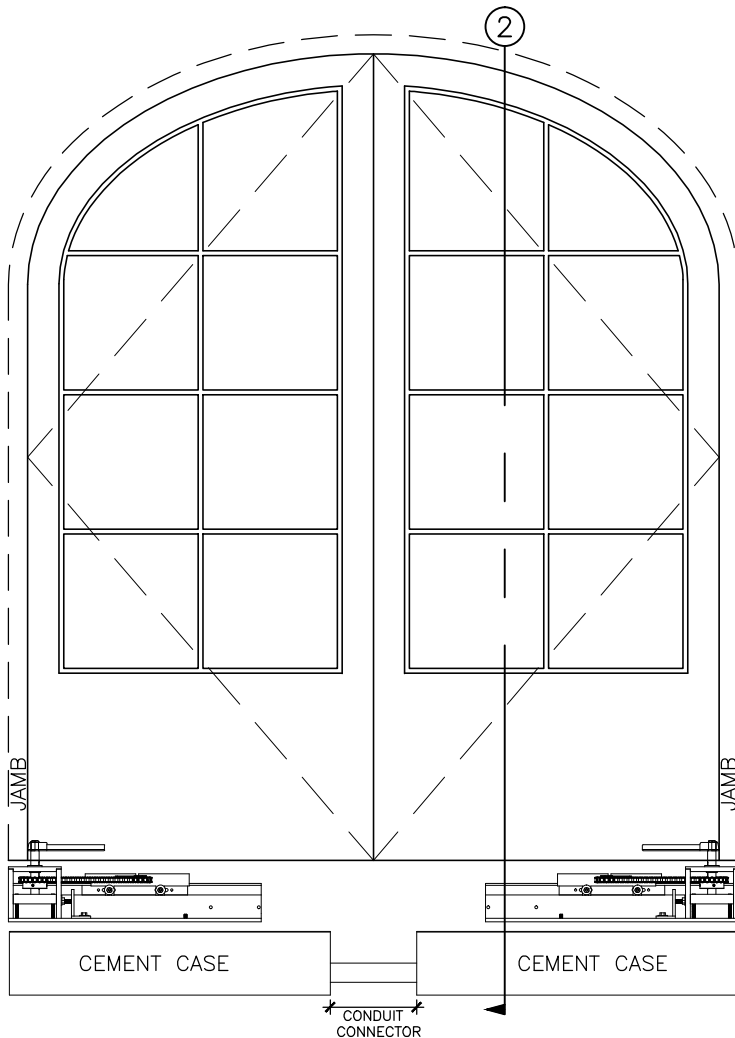




**ARCH TOP (HISTORIC)  
PAIR OF DOORS  
WOOD, BRONZE, ETC.**

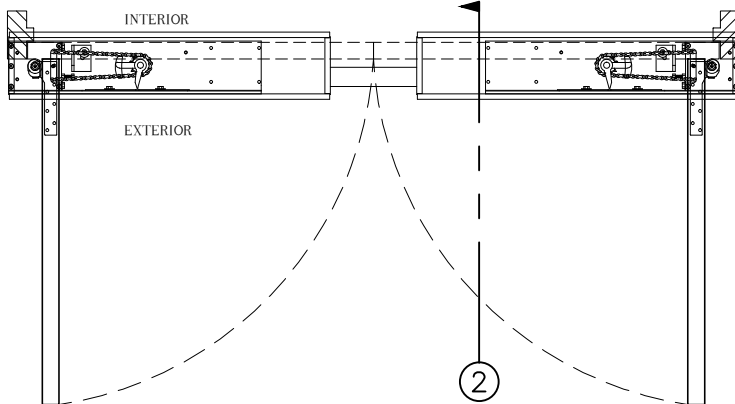
**3/4" OFFSET PIVOT WITH  
STANDARD OFFSET BOTTOM ARMS**



CEMENT CASES SHOWN BELOW SLEDS FOR CLARITY

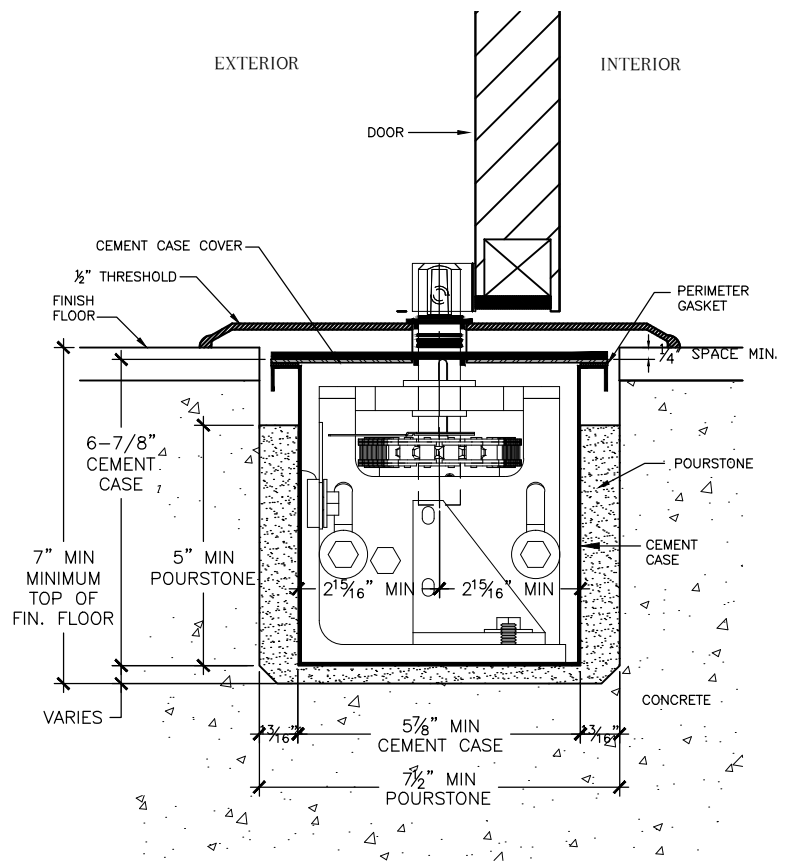
FRONT ELEVATION ③

SCALE = 1:20



PLAN ①

SCALE = 1:20



SECTION ②  
OFFSET PIVOT

SCALE = 1:4

**NOTES:**

1. SEE BLOCKOUT DRAWINGS FOR ALTERNATE FLOOR COVER OPTIONS (STONE, FLUSH, ETC.)
2. SEE "BOTTOM ARM" TAB AT WEBSITE FOR AVAILABLE STANDARD BOTTOM ARMS (OFFSET HUNG)
3. SEE "FLOOR BLOCKOUT" TAB AT WEBSITE FOR FLOOR BLOCKOUT DIMENSTIONS AND TEMPLATES

**SD-P101-HP**