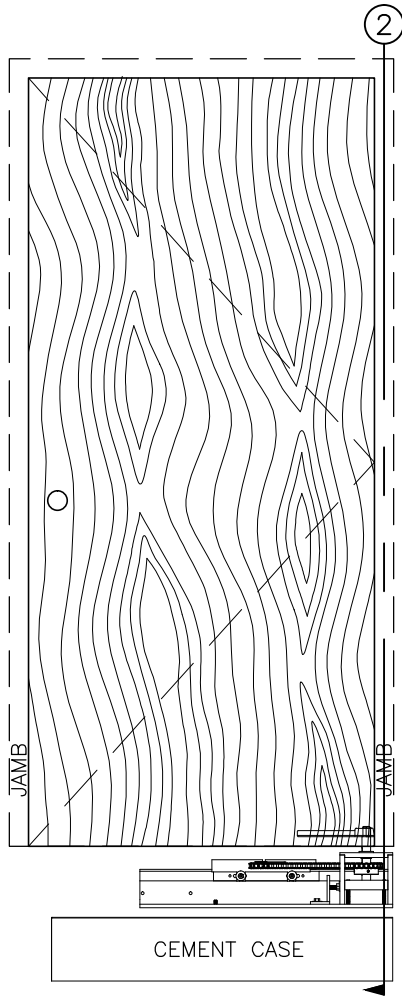
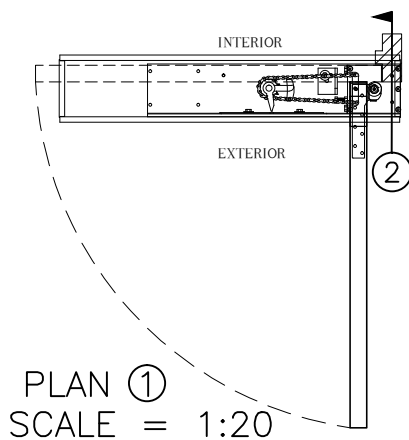


WOODEN (FULL PANEL) DOOR

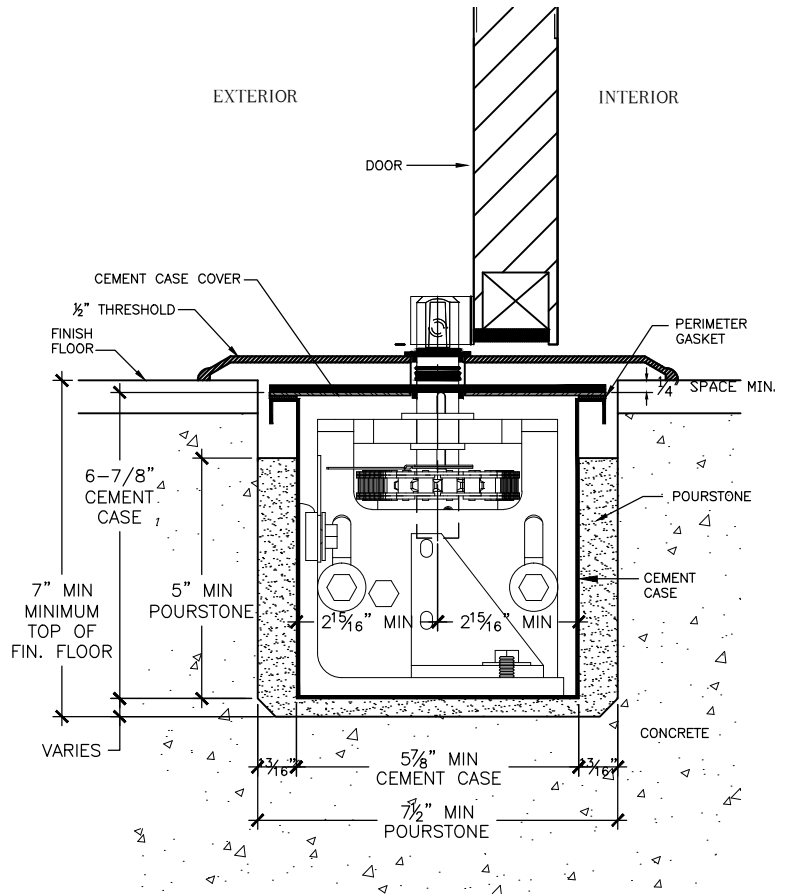
3/4" OFFSET PIVOT WITH
STANDARD OFFSET BOTTOM ARM



CEMENT CASES SHOWN BELOW SLEDS FOR CLARITY
FRONT ELEV. ③ SCALE=1:20



PLAN ①
SCALE = 1:20



SECTION ②
OFFSET PIVOT

SCALE = 1:4

NOTES:

1. SEE BLOCKOUT DRAWINGS FOR ALTERNATE FLOOR COVER OPTIONS (STONE, FLUSH, ETC.)
2. SEE "BOTTOM ARM" TAB AT WEBSITE FOR AVAILABLE STANDARD BOTTOM ARMS (OFFSET HUNG)
3. SEE "FLOOR BLOCKOUT" TAB AT WEBSITE FOR FLOOR BLOCKOUT DIMENSTIONS AND TEMPLATES

SD-P101-WS