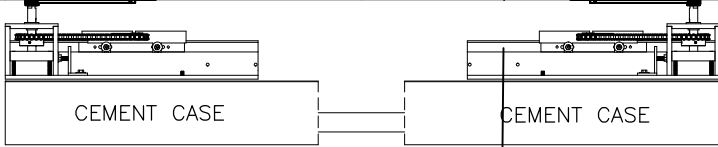
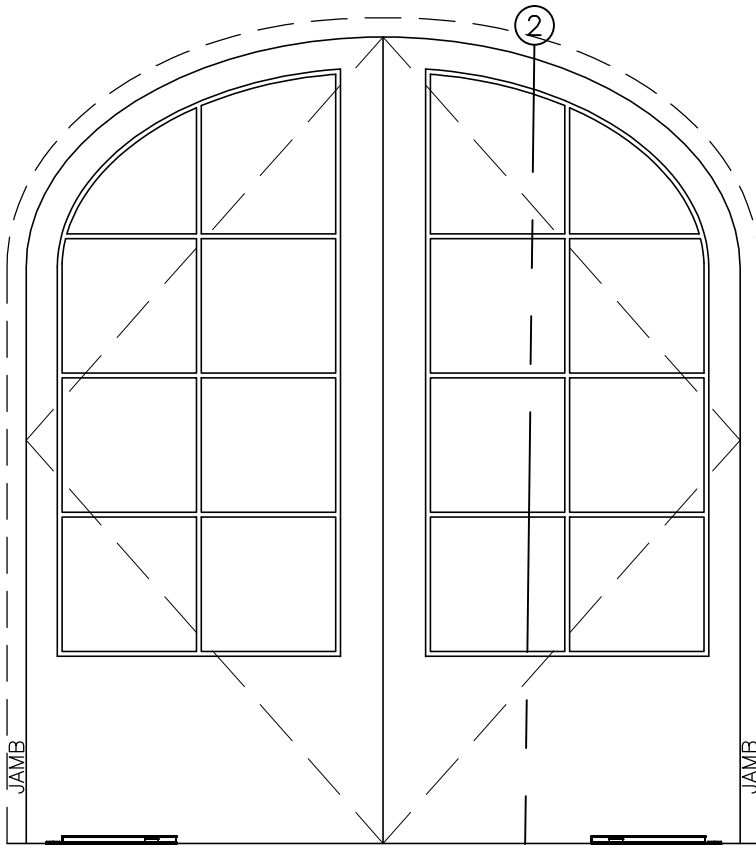


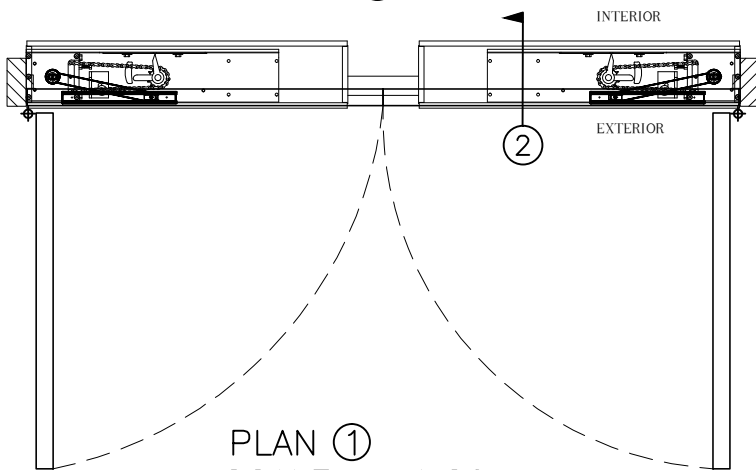
ARCH TOP (HISTORIC)
PAIR OF DOORS
 WOOD, BRONZE, ETC.

BUTT HUNG (HINGED) OFFSET W/ DORMA
BTS-80/1 & 7451N BOTTOM SLIDE-ARM

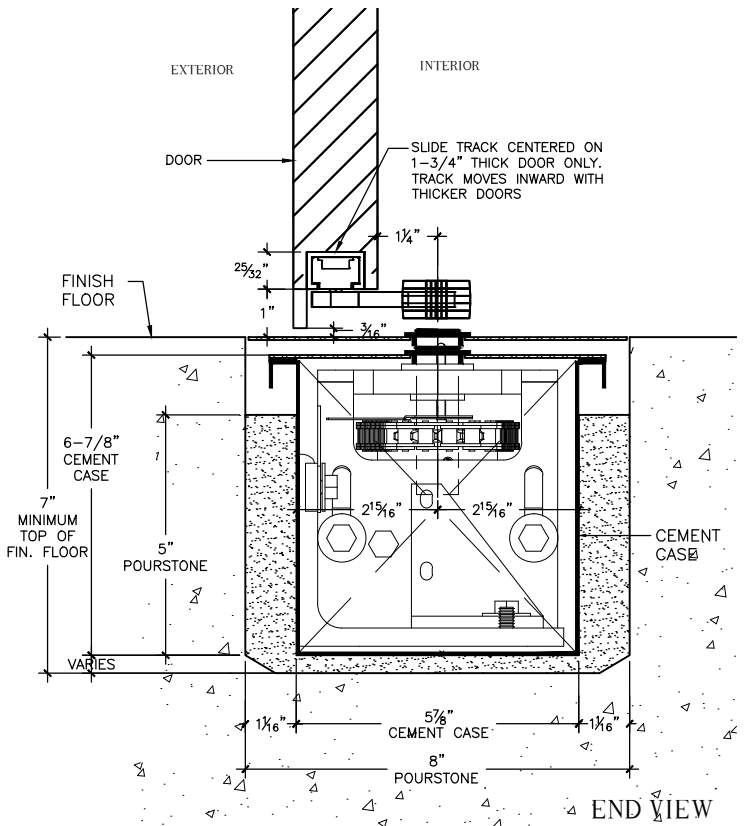


CEMENT CASES SHOWN BELOW SLEDS FOR CLARITY

FRONT ELEV. ③ SCALE = 1:20



PLAN ①
 SCALE = 1:20



SECTION ②
 OFFSET PIVOT

SCALE = 1:4

NOTES:

1. SEE BLOCKOUT DRAWINGS FOR ALTERNATE FLOOR COVER OPTIONS (STONE, FLUSH, ETC.)
2. SEE "BOTTOM ARM" TAB AT WEBSITE FOR BOTTOM ARM DETAILS.
3. SEE "FLOOR BLOCKOUT" TAB AT WEBSITE FOR FLOOR BLOCKOUT DIMENSIONS & TEMPLATES
4. SEE "FIELD LAYOUT" TAB FOR DOOR PREP TEMPLATES.
5. CRITICAL THAT DIM. FROM INTERIOR FACE OF DOOR TO $\text{\textcircled{C}}$ OF SPINDLE BE HELD.