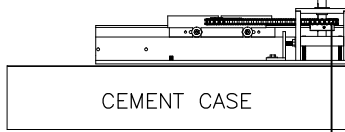
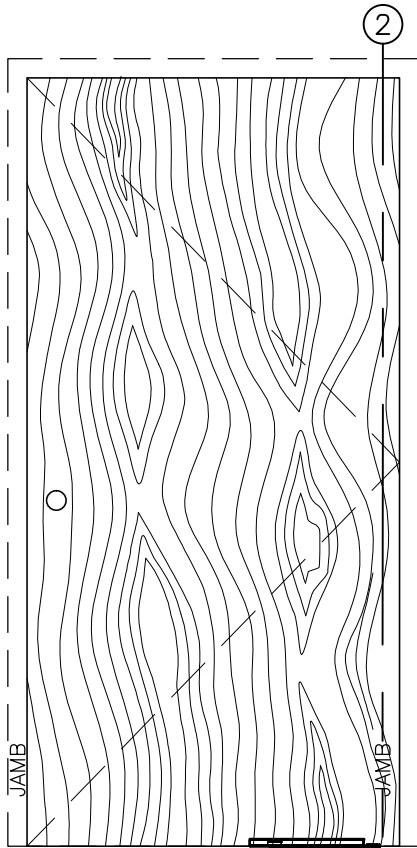
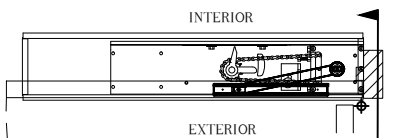


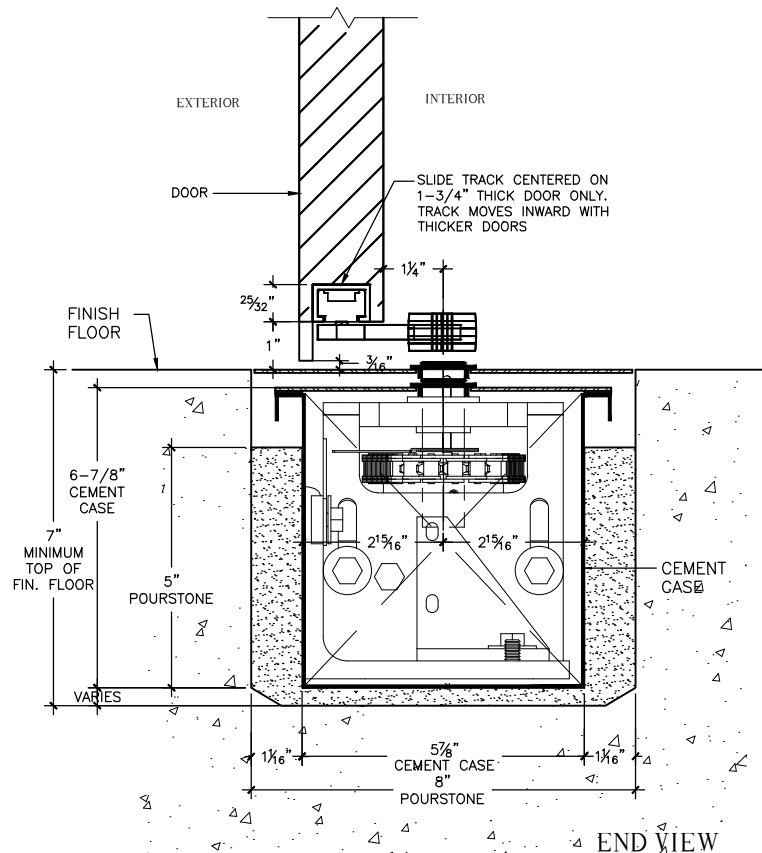
WOODEN (FULL PANEL) DOOR
BUTT HUNG (HINGED) OFFSET WITH
DORMA BTS-80/1 & 7451N BOTTOM SLIDE ARM



CEMENT CASES SHOWN BELOW SLEDS FOR CLARITY
 FRONT ELEV. ③ SCALE=1:20



PLAN ①
 SCALE = 1:20



SECTION ②
 OFFSET PIVOT

SCALE = 1:4

NOTES:

1. SEE BLOCKOUT DRAWINGS FOR ALTERNATE FLOOR COVER OPTIONS (STONE, FLUSH, ETC.)
2. SEE "BOTTOM ARM" TAB AT WEBSITE FOR BOTTOM ARM DETAILS.
3. SEE "FLOOR BLOCKOUT" TAB AT WEBSITE FOR FLOOR BLOCKOUT DIMENSIONS & TEMPLATES
4. SEE "FIELD LAYOUT" TAB FOR DOOR PREP TEMPLATES.
5. CRITICAL THAT DIM. FROM INTERIOR FACE OF DOOR TO \O OF SPINDLE BE HELD.