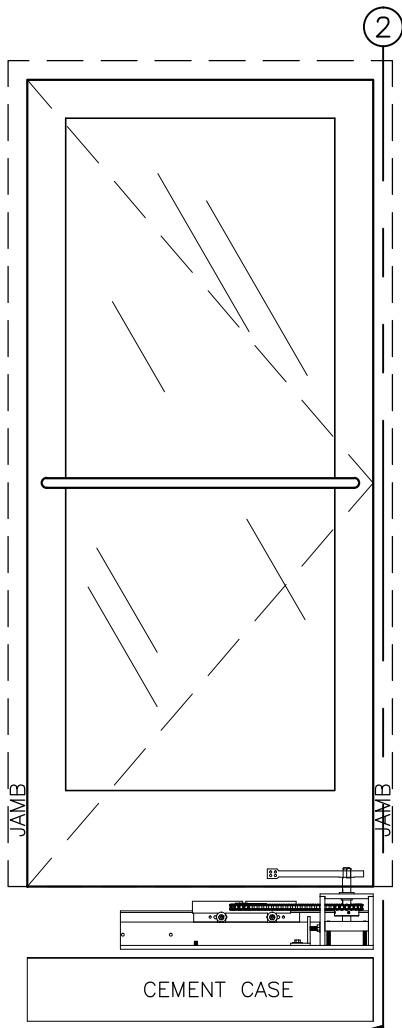
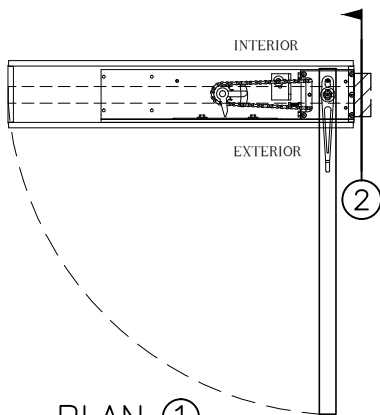


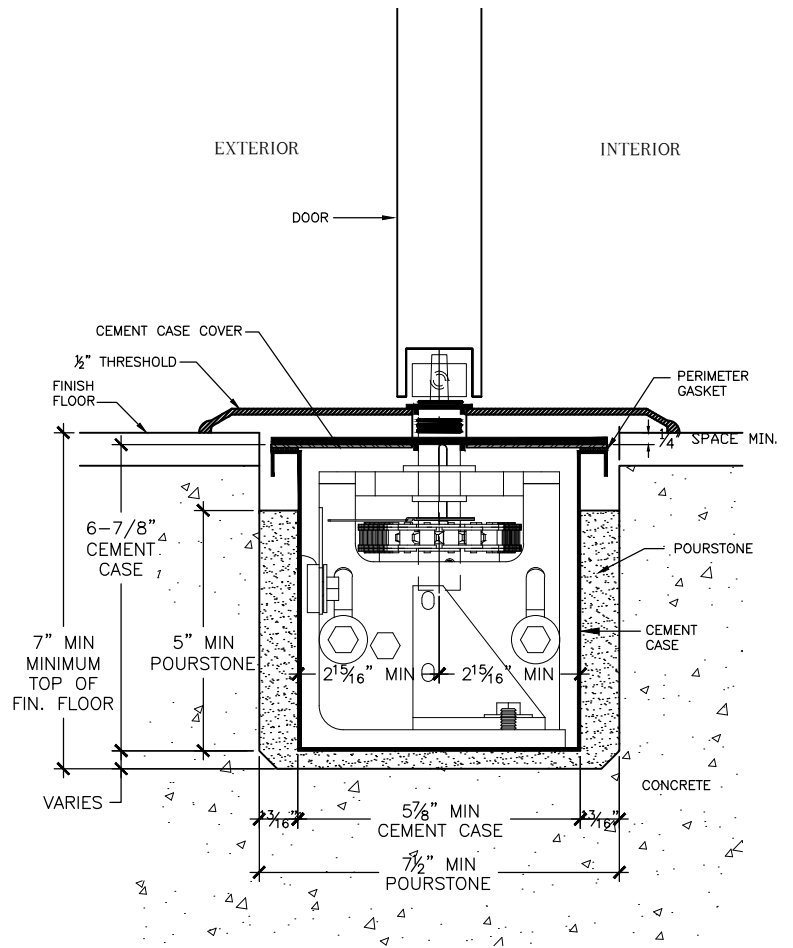
STILE & RAIL DOOR
 ALUMINUM, WOOD, STEEL OR METAL CLAD
 CENTER HUNG



CEMENT CASES SHOWN BELOW SLEDS FOR CLARITY
 FRONT ELEV. ③ SCALE = 1:20



PLAN ①
 SCALE = 1:20



SECTION ②
 CENTER PIVOT

SCALE = 1:4

NOTES:

1. SEE BLOCKOUT DRAWING FOR ALTERNATE FLOOR COVER OPTIONS (STONE, FLUSH, ETC.)
2. SEE "BOTTOM ARM" TAB AT WEBSITE FOR AVAILABLE BOTTOM ARMS.
3. SEE "FLOOR BLOCKOUT" TAB AT WEBSITE FOR FLOOR BLOCKOUT DIMENSIONS AND TEMPLATES