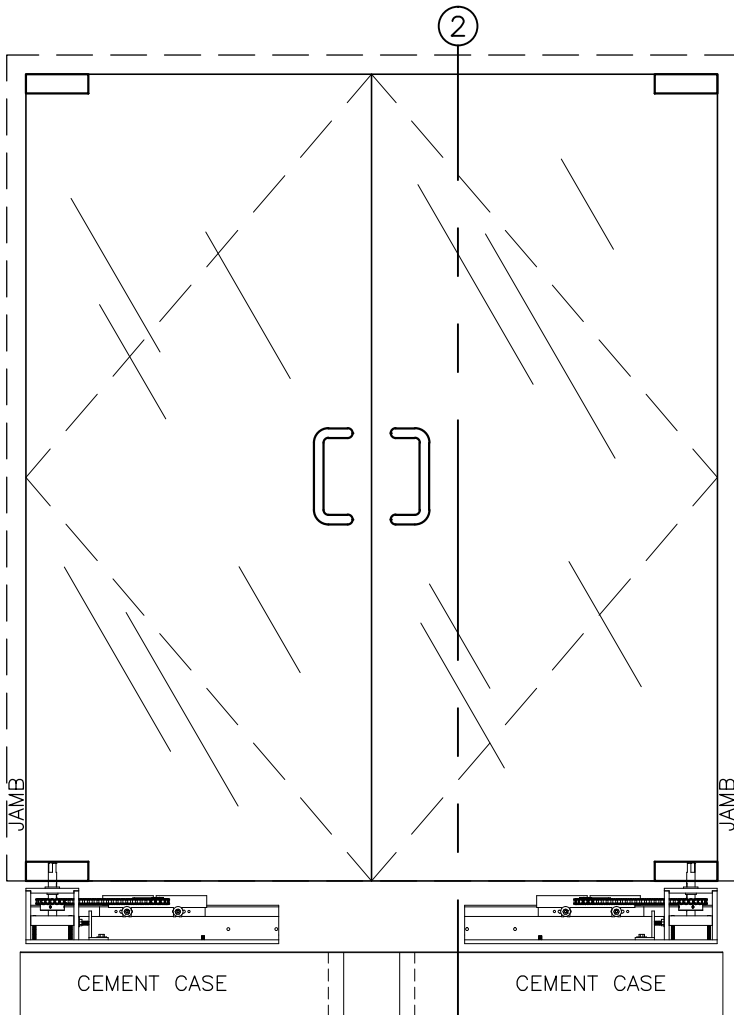


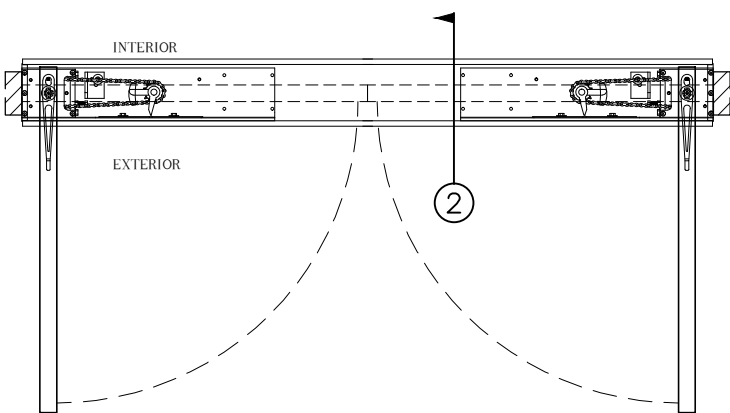
# ALL-GLASS FRAMELESS PATCH FITTING PIVOTS

CENTER HUNG PAIR OF DOORS

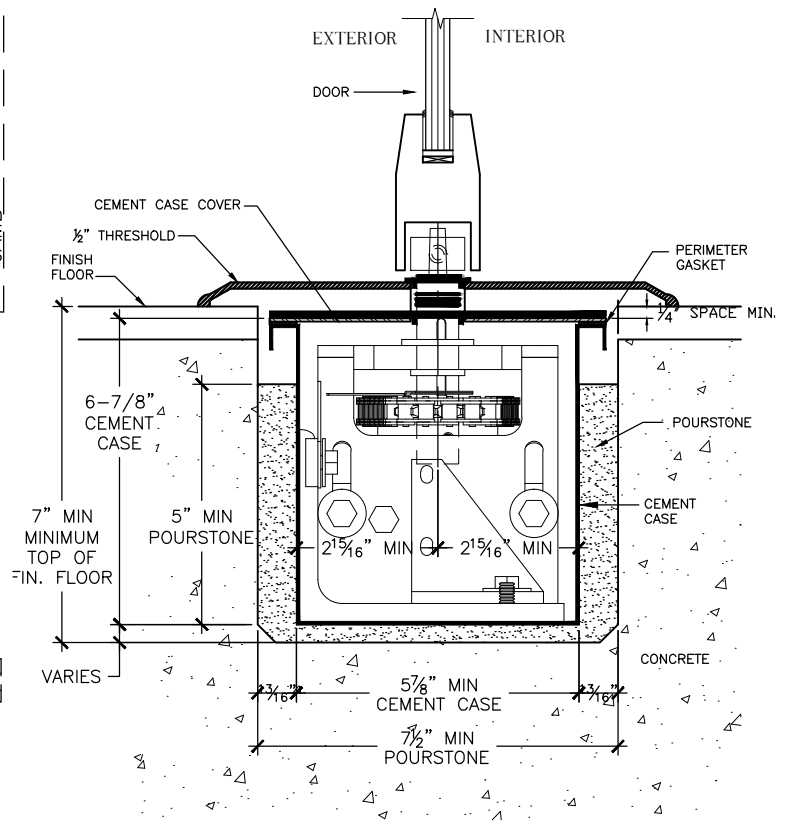


CEMENT CASES SHOWN BELOW SLEDS FOR CLARITY

FRONT ELEVATION ③ SCALE = 1:20



PLAN ① SCALE = 1:20



SECTION ② SCALE = 1:4  
CENTER HUNG

**NOTES:**

1. SEE BLOCKOUT DRAWING FOR ALTERNATE FLOOR COVER OPTIONS (STONE, FLUSH, ETC.)
2. SEE "BOTTOM ARM" TAB AT WEBSITE FOR AVAILABLE BOTTOM ARMS.
3. SEE "FLOOR BLOCKOUT" TAB AT WEBSITE FOR FLOOR BLOCKOUT DIMENSIONS AND TEMPLATES