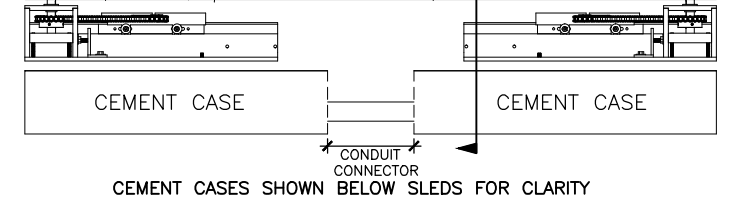
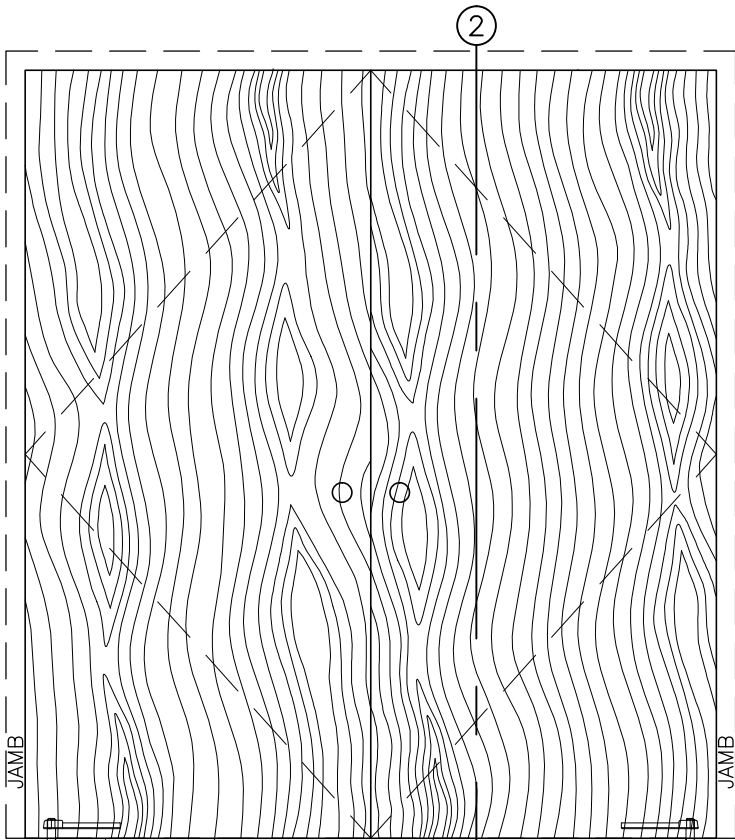
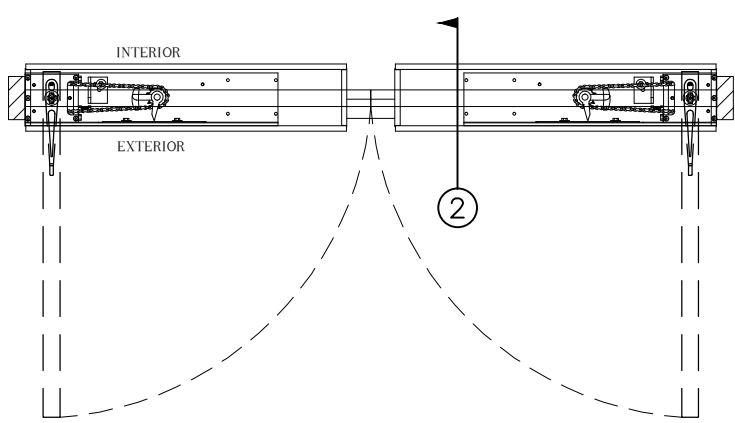


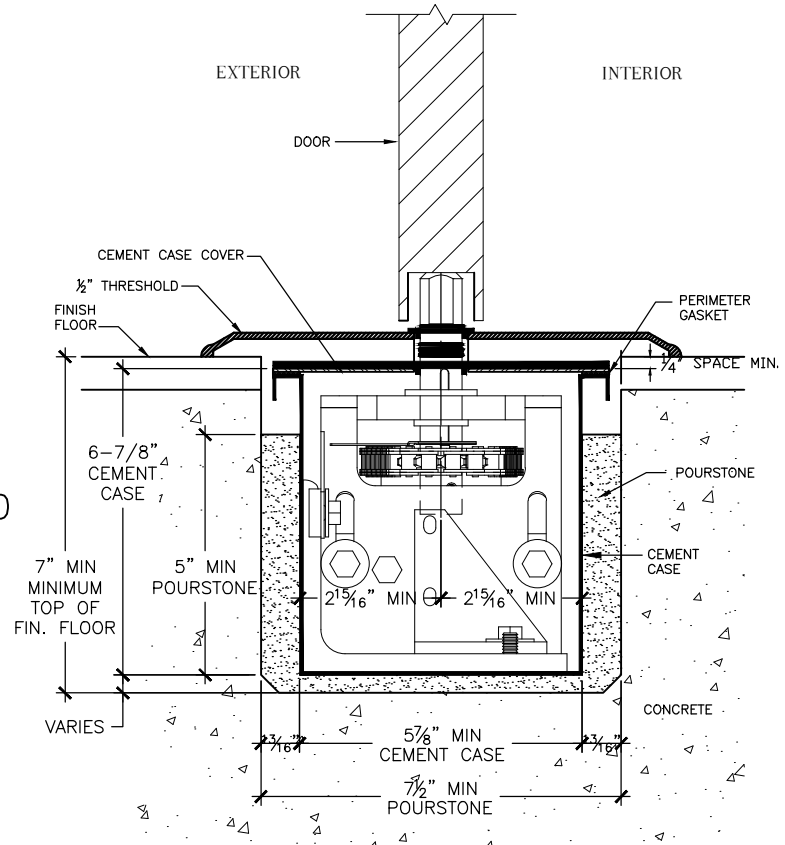
WOODEN (FULL PANEL)
PAIR OF DOORS
CENTER HUNG



FRONT ELEVATION ③ SCALE = 1:20



PLAN ① SCALE = 1:20



SECTION ② OFFSET PIVOT SCALE = 1:4

NOTES:

1. SEE BLOCKOUT DRAWING FOR ALTERNATE FLOOR COVER OPTIONS (STONE, FLUSH, ETC.)
2. SEE "BOTTOM ARM" TAB AT WEBSITE FOR AVAILABLE BOTTOM ARMS.
3. SEE "FLOOR BLOCKOUT" TAB AT WEBSITE FOR FLOOR BLOCKOUT DIMENSIONS AND TEMPLATES